



# INSTALLATION INSTRUCTIONS

Accessory

12 V ACCESSORY SOCKET  
P/N 08V71-MGS-A30

Application

NC700X/XD

Publication No.

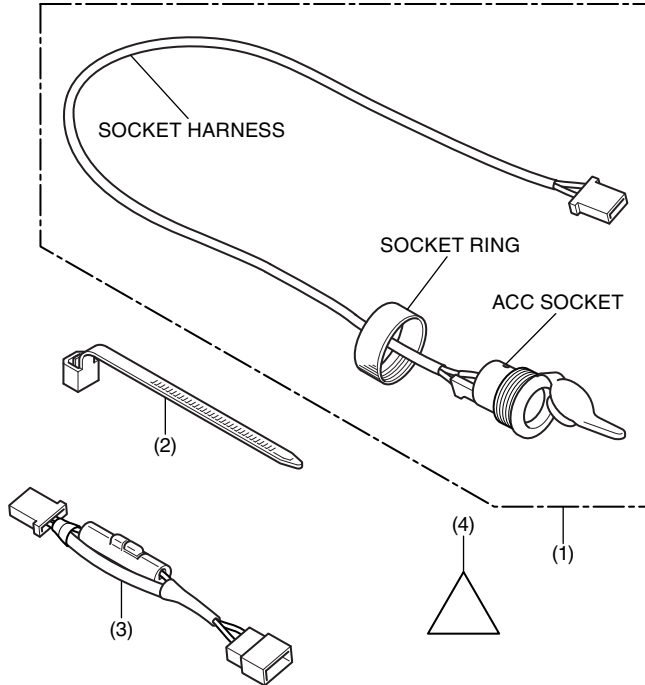
MII 13973

Issue Date

February 2012

**Honda Dealer: Please give a copy of these instructions to your customer.**

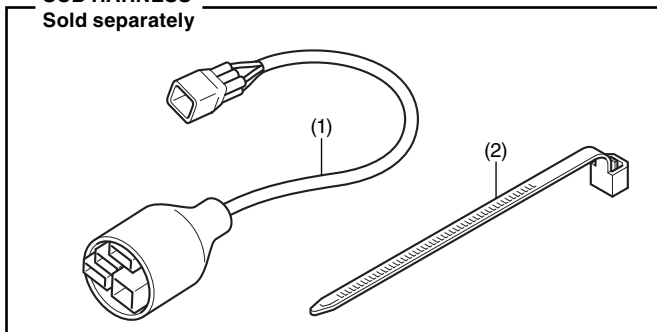
## PARTS LIST



No.	Description	Qty
(1)	Socket assy.	1
(2)	Wire tie	1
(3)	ACC harness	1
(4)	Safety label	1

### SUB HARNESS

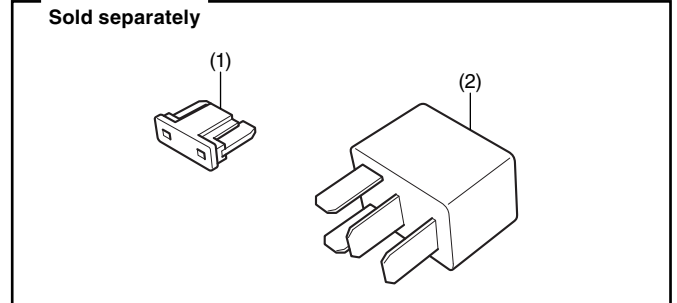
Sold separately



No.	Description	Qty
(1)	Sub harness	1
(2)	Wire tie	1

### RELAY SET

Sold separately



No.	Description	Qty
(1)	Fuse (7.5 A)	1
(2)	Relay	1

## TOOLS AND SUPPLIES REQUIRED

Side cutters  
 Electric drill  
 Hole saw (30 mm)  
 Awl  
 Ruler  
 Electrical tape  
 Isopropyl alcohol  
 Shop towel

## TORQUE INFORMATION

Refer to the Service Manual for the torque values of the removed parts.

## USE AND CARE INFORMATION

- Check the accessory mounts frequently and retighten if necessary.
- Use a 1 amp fuse for replacement of the fuse in the accessory harness. Do not use any other fuse for replacement.
- Use a 7.5 amp fuse for replacement of the fuse in the Relay Set. Do not use any other fuse for replacement.
- The maximum power rating of connected accessories is 12 W (12 V, 1 A).
- Use accessories with the engine running to avoid discharging the battery.
- Switch the headlight to low beam when accessories are connected to avoid discharging the battery.
- Do not use a cigarette lighter, as this can cause a malfunction.
- Cover the socket with the cap when the accessory socket is not used to prevent entry of foreign objects.
- Carefully secure any connected devices, as vibrations may cause them to shift unexpectedly.

## INSTALLATION INFORMATION

### CAUTION:

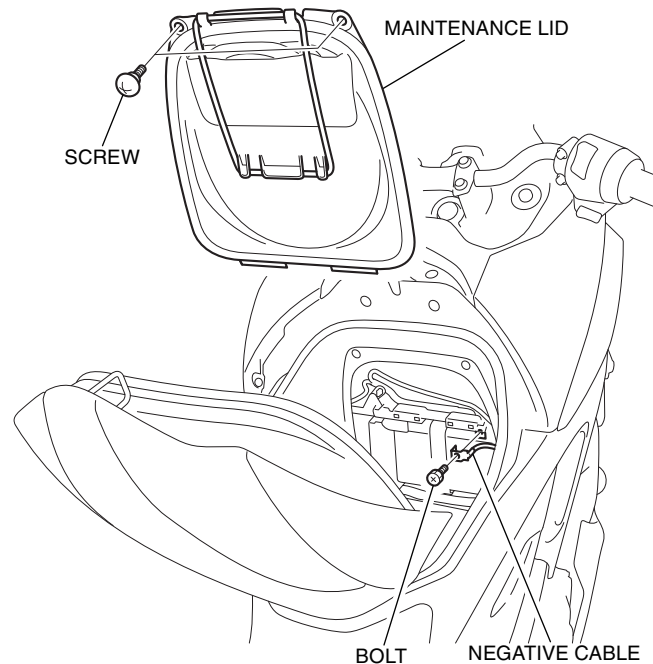
- To prevent burns, allow the engine, exhaust system, radiator, etc., to cool before installing the accessory.

### NOTE:

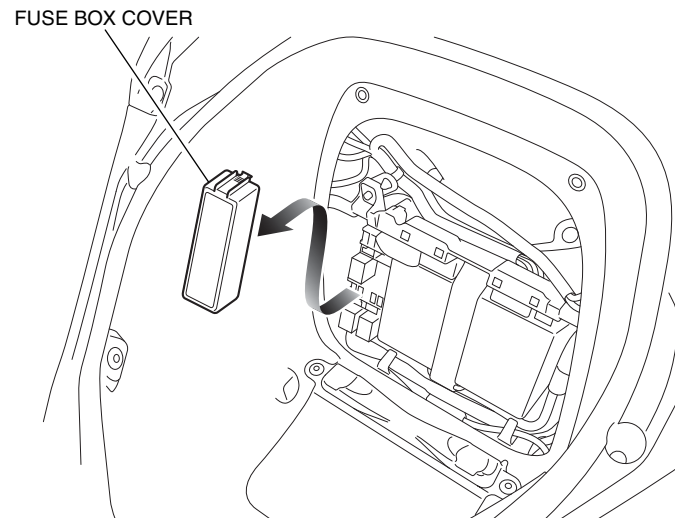
- The following accessories (sold separately) are required to install this accessory:
  - Sub Harness
  - Relay Set
- Reinstall the removed parts on the motorcycle and make sure that wires and harnesses are not pinched.
- Disconnect the negative (-) cable from the battery before installing this accessory.
- The memory of the clock will be erased when you disconnect the battery. Reset the clock after reconnecting the battery.
- Trim the excess ends off the wire ties after attaching them to the wire harnesses. Do not allow the cut part of the wire tie to interfere with any harness or brake hose.
- When replacing the Sub Harness or Relay Set, follow the instructions described in these installation instructions.

## PREPARING THE RELAY SET

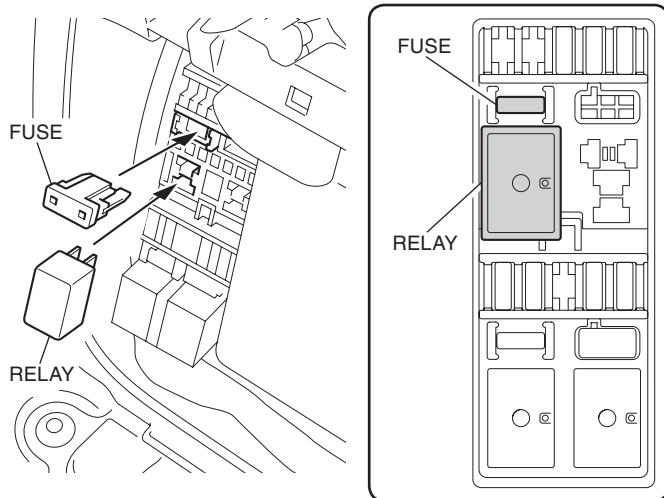
1. Refer to the Service Manual for the motorcycle, remove the maintenance lid and disconnect the negative cable from the battery.



2. Remove the fuse box cover as shown.

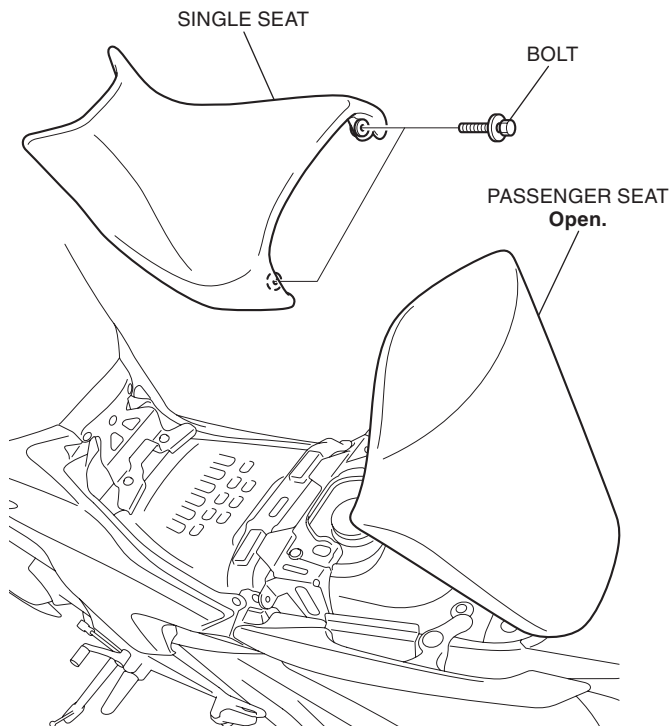


3. Install the relay and fuse in the positions shown.

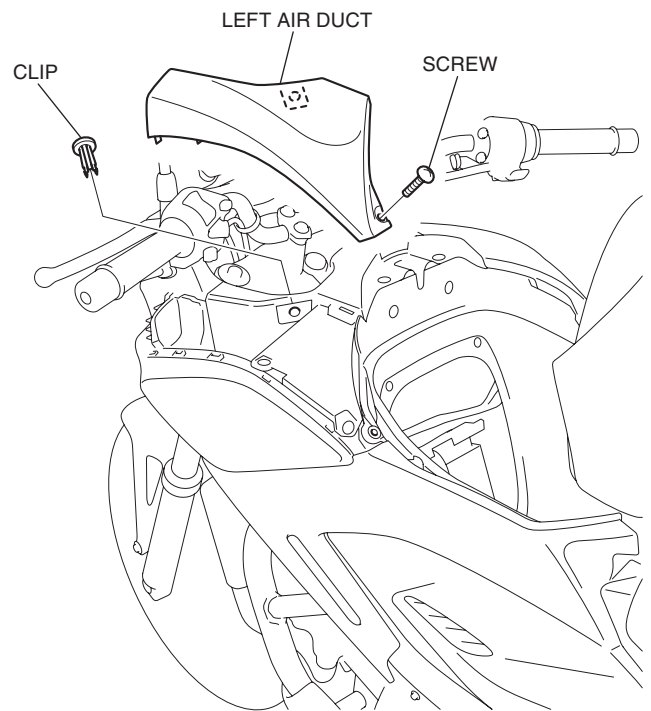


### ACC SOCKET INSTALLATION

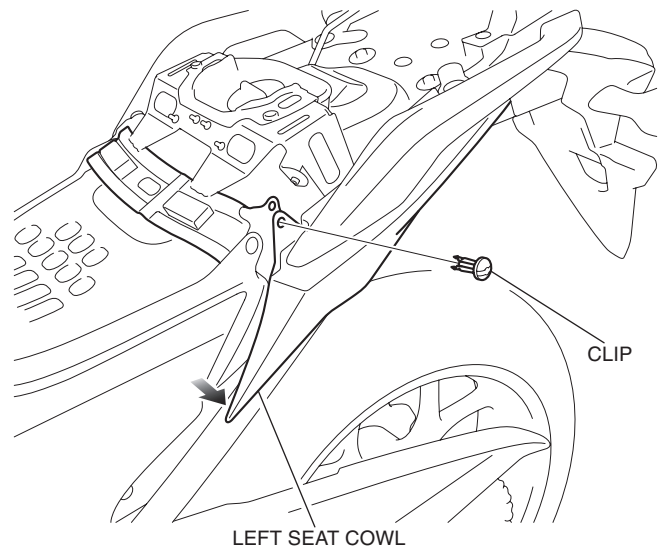
1. Confirm the negative (-) cable is disconnected from the battery. See PREPARING THE RELAY SET for detailed instructions.
2. Refer to the Service Manual for the motorcycle, remove the seats.



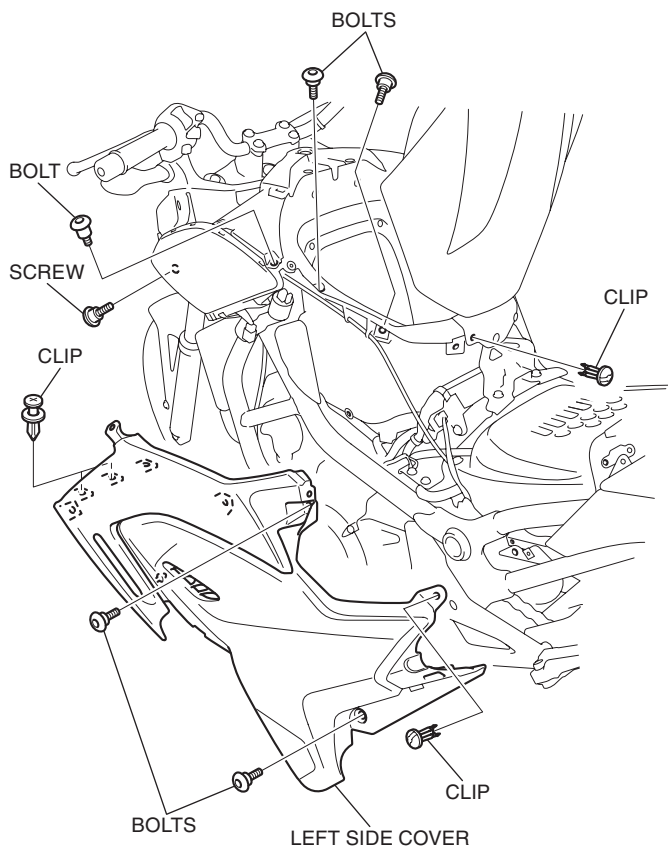
2. Refer to the Service Manual for the motorcycle, remove the left air duct.



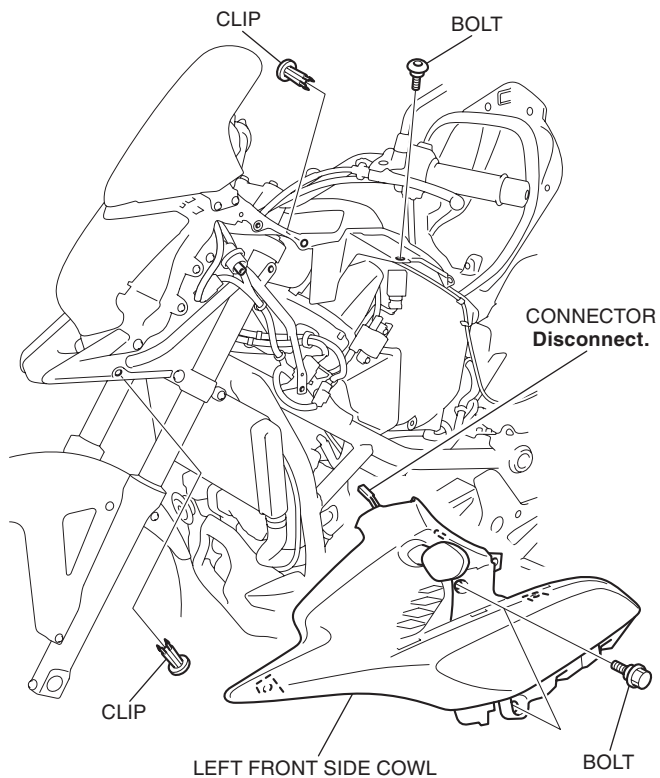
3. Remove the clip and open the front part of the left seat cowl slightly as shown.



4. Refer to the Service Manual for the motorcycle, remove the left side cover.

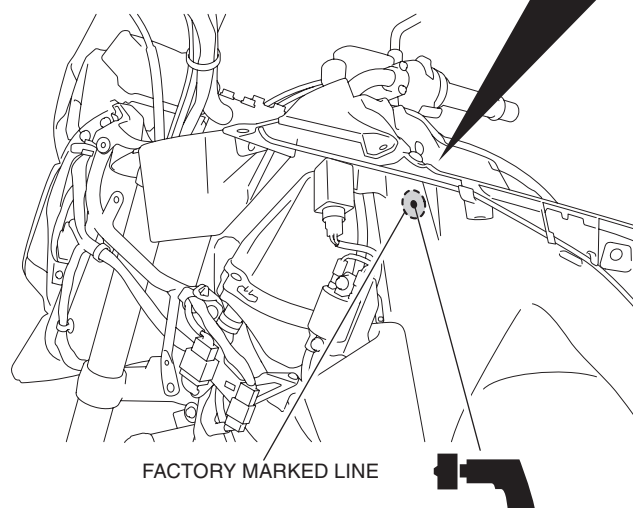
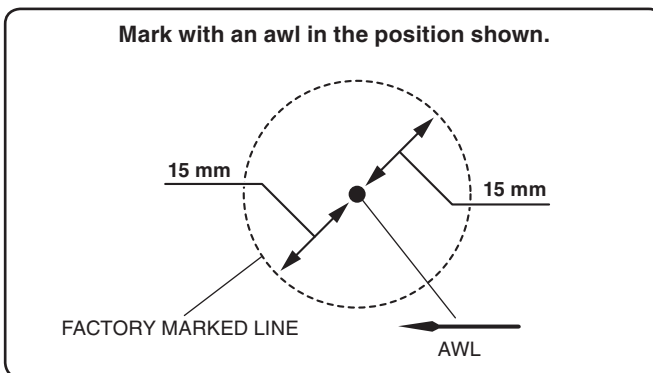


5. Refer to the Service Manual for the motorcycle, remove the left front side cowl.



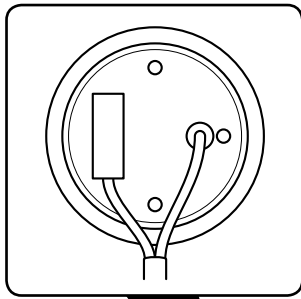
6. Drill a 30 mm hole at the factory marked line on the side of the luggage box using an electric drill and hole saw.

- Remove any burrs from the edge of the hole.

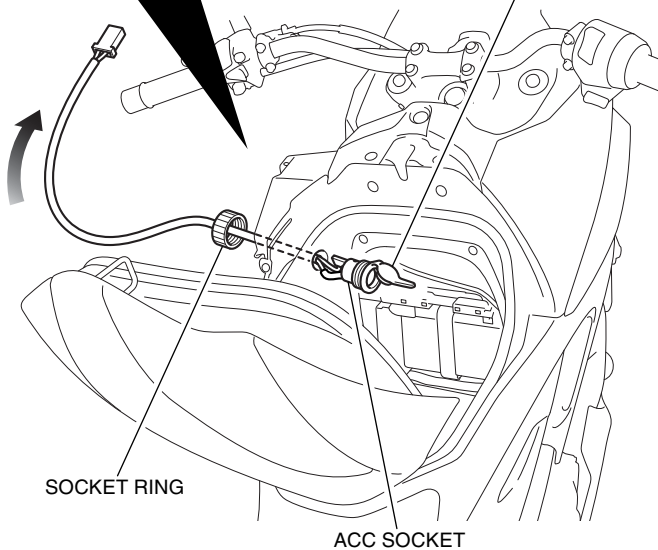


**ELECTRIC DRILL  
(30 mm HOLE SAW)  
Drill at the marked point.**

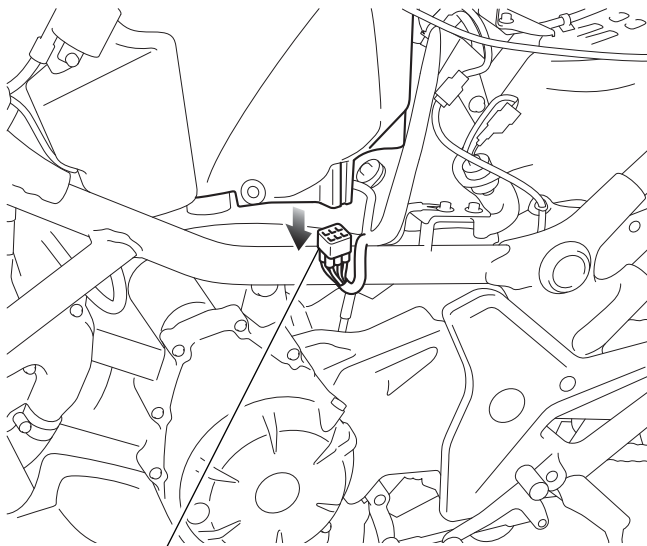
7. Install the ACC socket as shown.



**CAP**  
Close the cap when  
not in use.

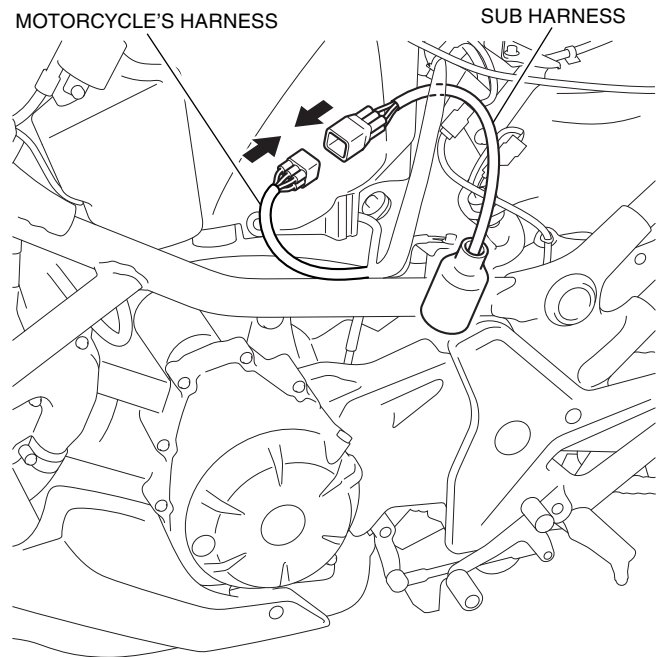


8. Release the motorcycle's 6-pin waterproof connector as shown.

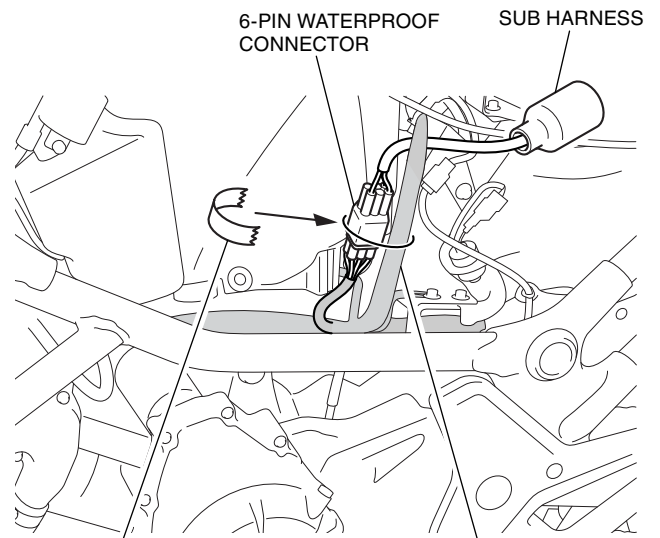


MOTORCYCLE'S 6-PIN  
WATERPROOF CONNECTOR

9. Connect the sub harness as shown.

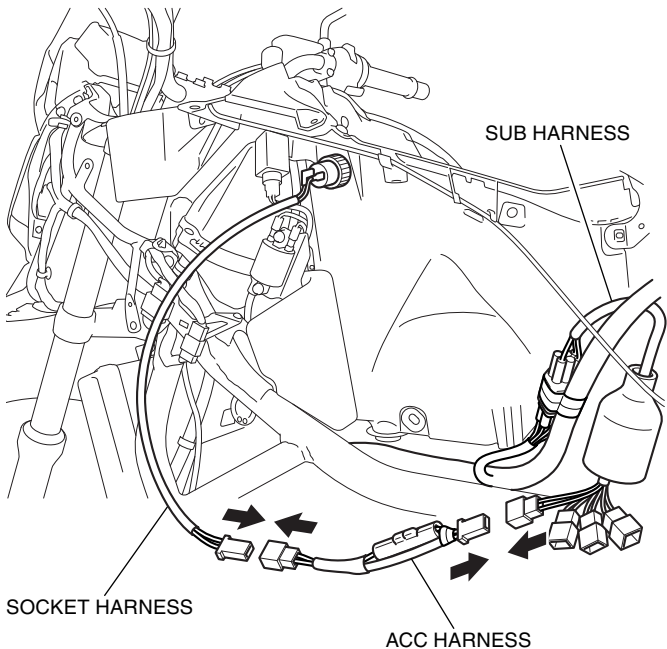


10. Secure the 6-pin waterproof connector with electrical tape as shown.

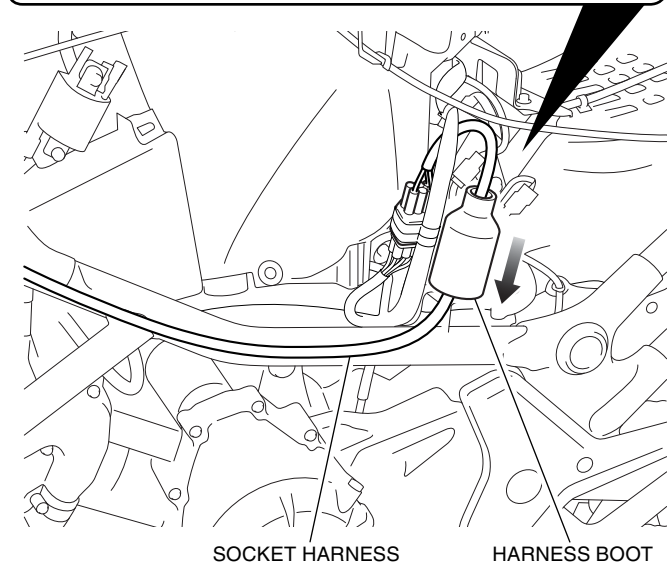
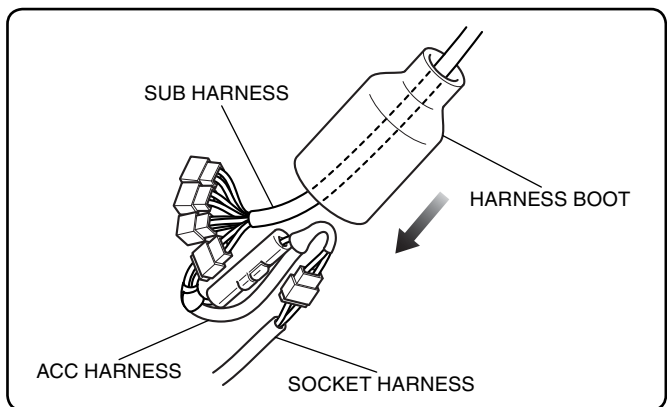


**ELECTRICAL TAPE**  
Secure the 6-pin  
waterproof connector to  
the motorcycle's harness.

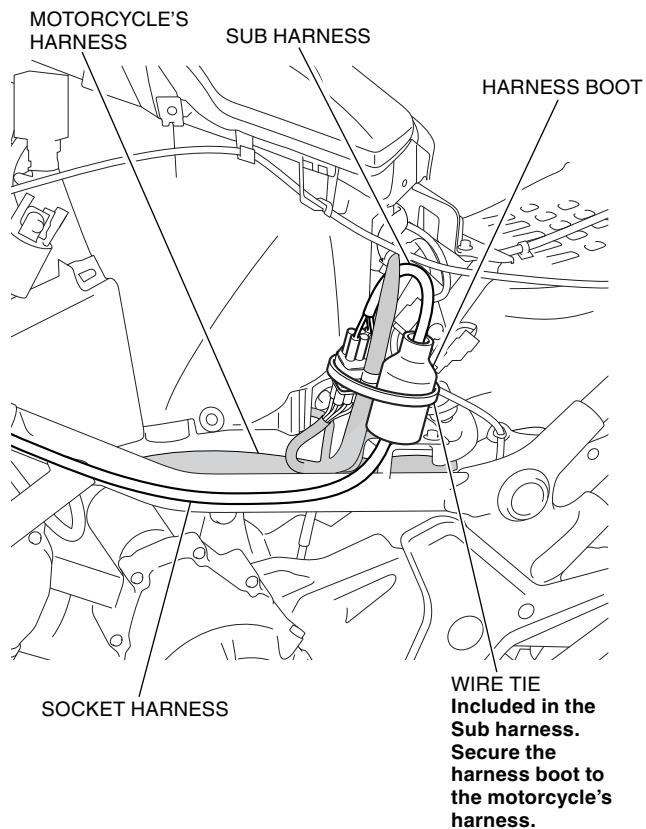
11. Connect the ACC harness between the socket harness and the sub harness as shown.



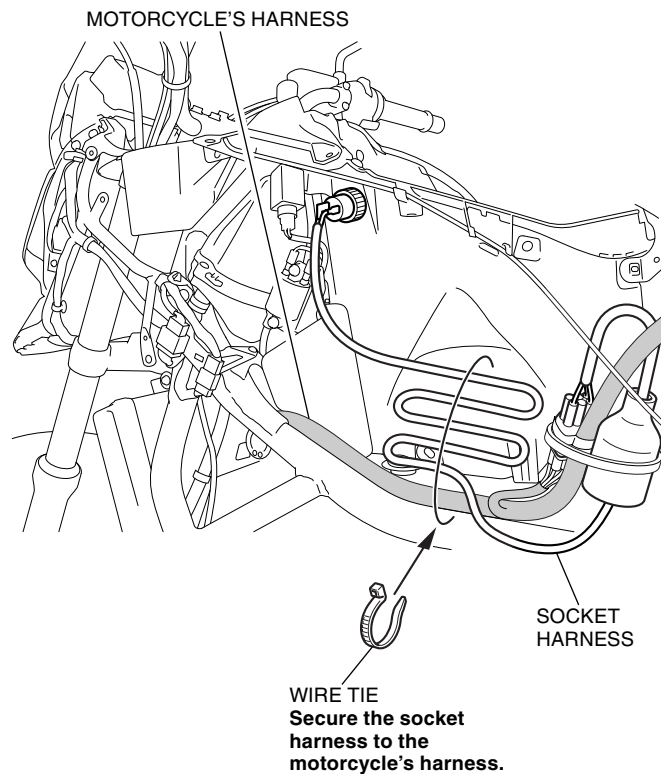
12. Cover the connectors with the harness boot as shown.



13. Secure the harnesses with the wire tie as shown.

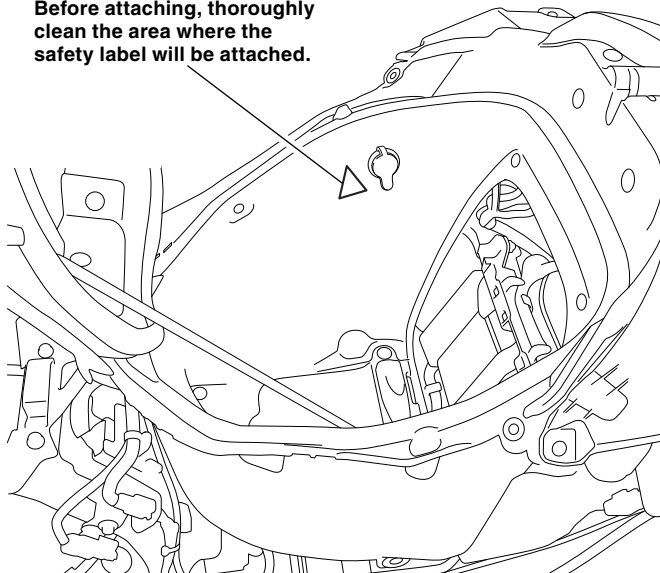


14. Bundle the socket harness and secure it with the wire tie as shown.



15. Attach the safety label in the position shown.

**SAFETY LABEL**  
**Before attaching, thoroughly clean the area where the safety label will be attached.**



16. Install the motorcycle's parts in the reverse order of removal.

- **Confirm that any harness is not caught or too tight.**